

## DESCRIPTION

- GPS antenna for outdoor installation.
- The domed shape prevents the accumulation of snow, leaves, etc., which could disrupt reception of the GPS signal.
- An orange LED means the antenna is in operation:
  - Flashes once per second when the antenna is synchronised.
  - Continuously lit when the antenna is not synchronised.
  - Unlit if there is no power.
- The LED is visible on the side of the antenna and from below.
- **Immunity to GPS rollover.**



## STANDARDS

- EN 301-489-19
- EN 55024 (2010)
- EN 62479
- EN 55032 (2012)
- EN 62368-1 (2014)
- EN 303-413

## ELECTRICAL FEATURES

- **Passive antenna gain** ..... +5 dBi.
- **Receiver** ..... 12 L1 channels = 1575 MHz.
- **Data transmitted** ..... NMEA 0183, transmission by RS485 at 4800 bauds, 8 data bits, 2 stop, no parity.
- **Transmission** ..... Every second, the ZDA time message then GGA.
- **Connection to the product to be synchronised** ..... 1 UTP cable of 2x 0.14 mm<sup>2</sup> twisted pairs (pre-stripped 5 mm wires).
- **Power supply** ..... 6-20 VDC (from a Sigma, Netsilon or the product to be synchronised).
- **Maximum consumption** ..... 6 VDC/20 VDC: 50 mA
- **Maximum cable length** ..... 6 VDC: 25 m  
20 VDC: 300 m

## MECHANICAL FEATURES

- **Construction** ..... White (RAL 9003) PC case, assembly by laser welding.
- **Operating temperature** ..... -30°C to +70°C.
- **Storage temperature** ..... -40°C to +85°C.
- **Non-condensing relative humidity level at 40°C** ..... 0 to 95%.
- **Protection class** ..... IP65, IK04.
- **Weight** ..... 200 g (+ 560 g for the 20 m cable).
- **MTBF** ..... >80,000 hours

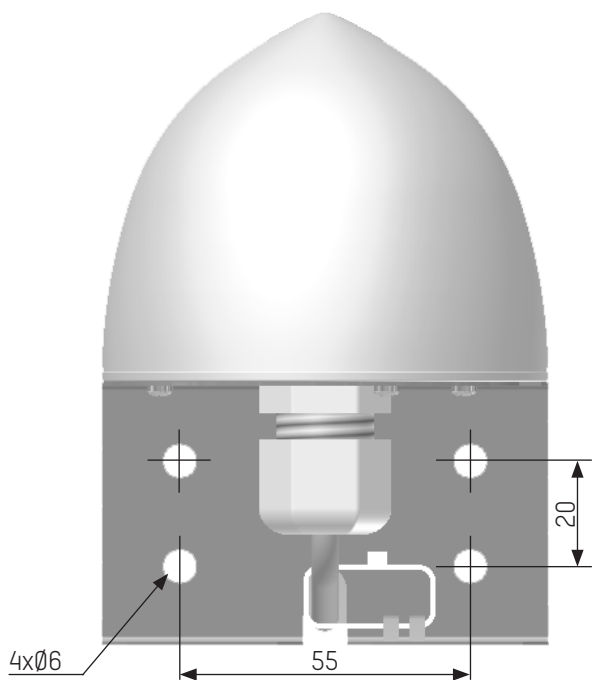
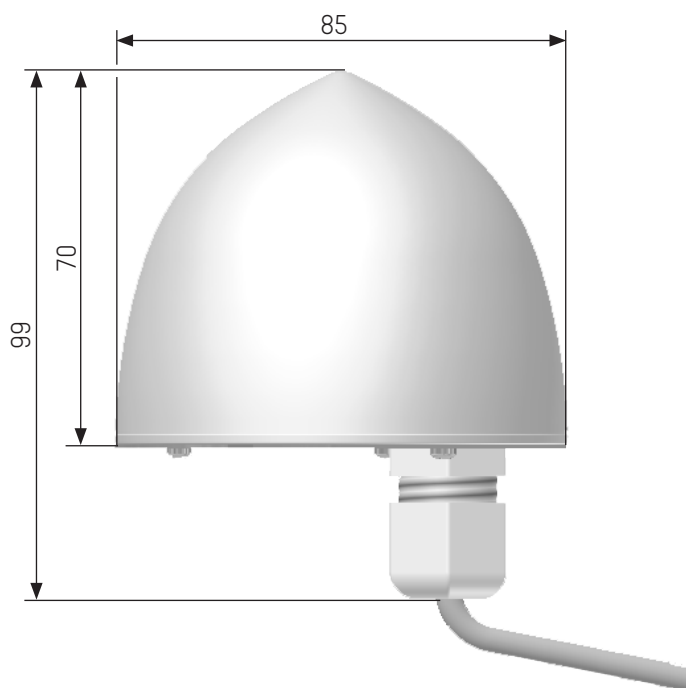
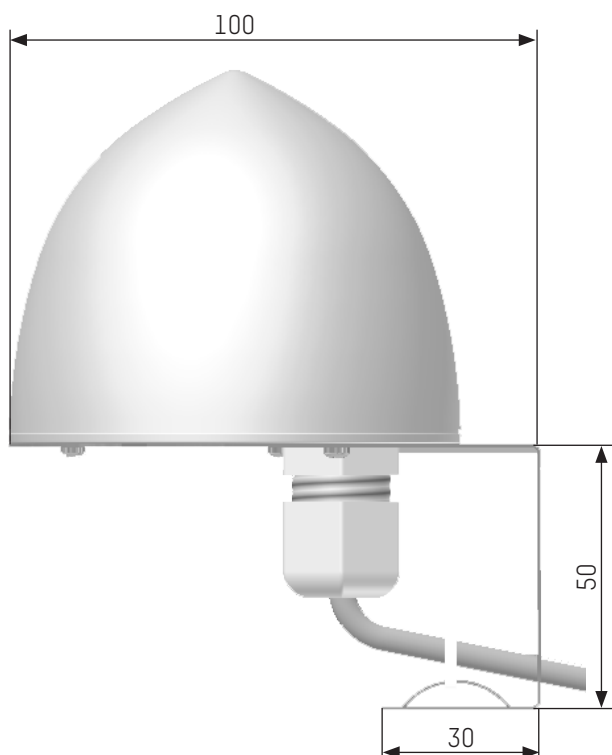
## REFERENCE

- **907 047** ..... GPS antenna.

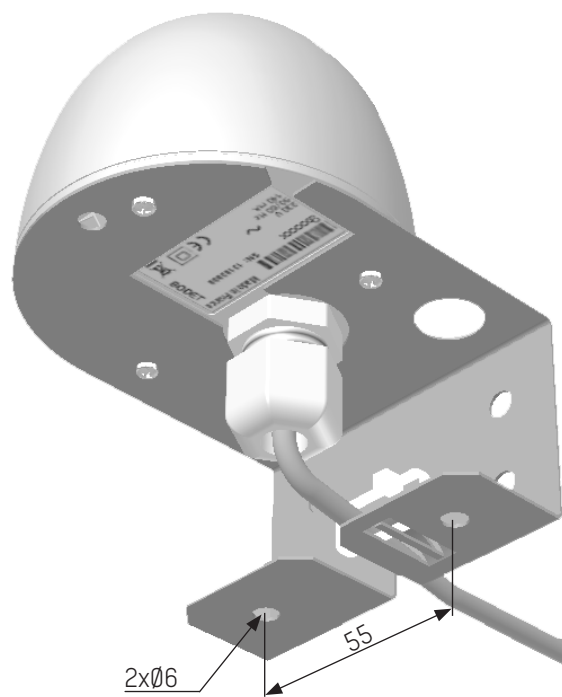
Antennas come with a manual, a 20-metre cable, a plate and attachment screws.

# GPS ANTENNA

Dimensions in mm



Wall fixation



fixation on stand