

DHF SOUNDER FOR INDOOR

DESCRIPTION

- Sounder to indicate breaks or class change times in environments such as schools, factories or workshops.
- Compatible with SIGMA master clock in DHF mode.
- 16 pre-recorded melodies stored in the internal memory and/or in a SD card.
- 2 LED indicators inform about the functioning of the sounder:
 - LED «~» indicates power.
 - LED «Ψ» is active during the communication with master clock in DHF mode.
- Every time a melody is played, the corresponding melody number is displayed.



STANDARDS

- Applicable standards: EN 55022 - EN 55024 - EN 60950 - EN 301-489-3 - EN 300-220-2.

TECHNICAL FEATURES

- **Melodies**..... Digital melodies and Lockdown messages stored in memory or SD card (16 melodies).
- **Amplifier**..... Integrated amplifier with volume control.
- **Digital format of the audio files**..... MP3.
- **SD CARD*** SD or SDHC, 32 GB maximum.
- **Duration of a melody**..... Variable depends on the recording.
- **Display**..... Number of the melody being played.
- **Sound level**..... 90db maximum in adjustable 1 meter.

*For the Lockdown procedure messages we recommend the use of a BODET SD card. By using a card different from the one proposed by Bodet you become sole responsible for the proper operation of the Lockdown procedure.

MECHANICAL FEATURES

- **Construction**..... White ABS fire retardant casing M3.
- **Protection index**..... IP31, IK07.
- **Operating temperature range**..... 0° to +50°C.
- **Weight**..... 1 kg.
- **Dimensions**..... H202 x W150 x D82 mm (detail in the back).

ELECTRICAL FEATURES

- **Power consumption**..... 100-240VAC ; 6-8.4VA.
24VDC (6W).
- **Power supply**..... 100-240VAC o TBT 24 VDC ±5%.

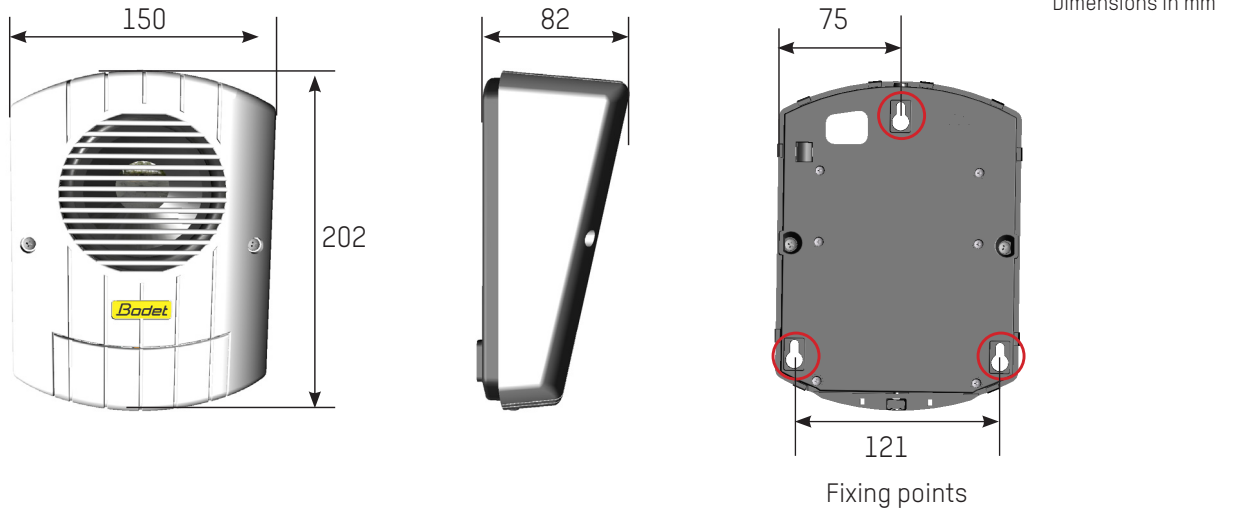
Melodys TBT 24V installation precaution: Maximum distance allowed to respect *			
Wire cross-sectional area (wire diameter):	0.5 ² (8/10)	0.75 ²	1.5 ²
Number of Melodys on the line:			
15	43 m	62 m	125 m
10	62 m	95 m	190 m
5	125 m	190 m	380 m

* The distance can be doubled by limiting the volume to 7. These distance limitations concern only one Melodys line; but it is possible to install several lines in parallel.

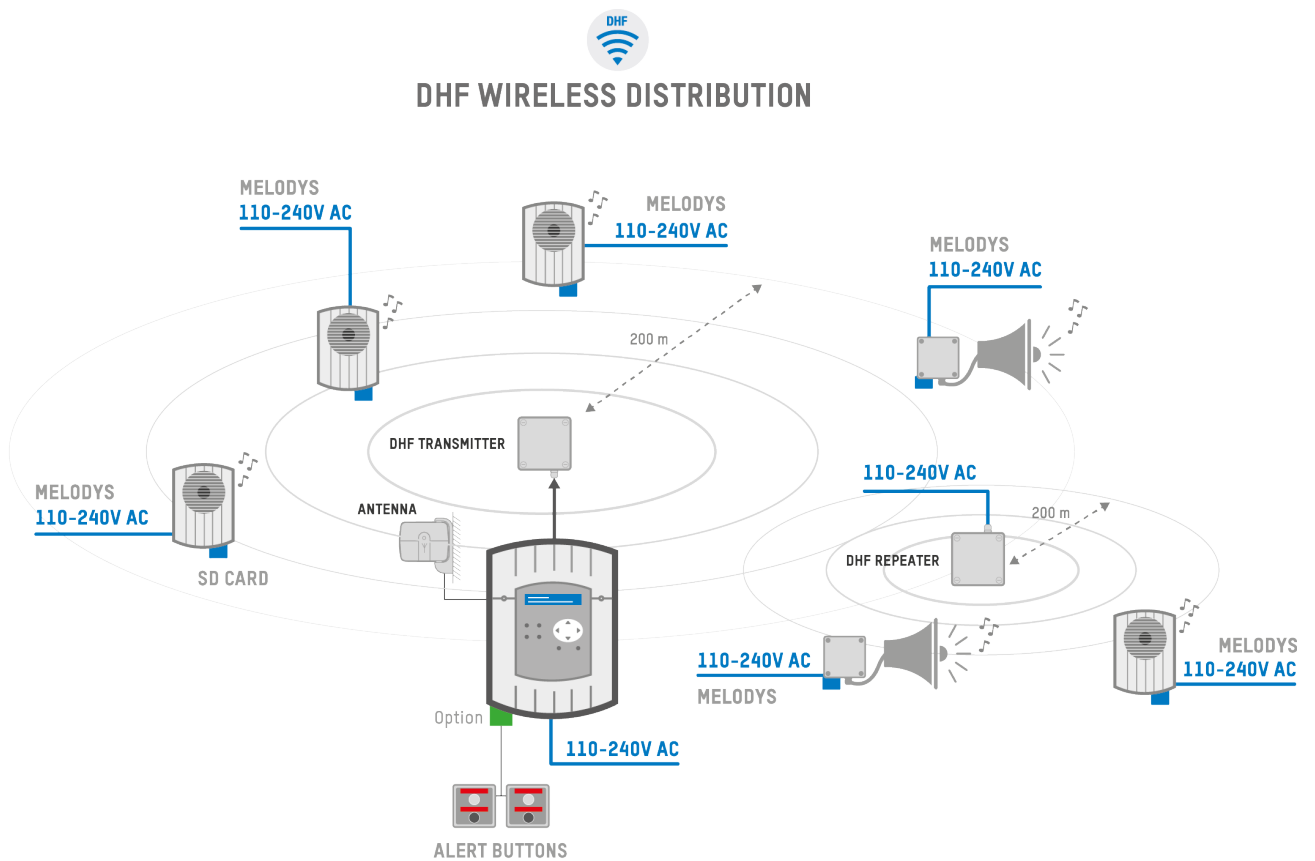


DHF SOUNDER FOR INDOOR

FIXATION



PRINCIPAL PLAN



REFERENCES

- 907 565..... DHF indoor Melodys 100-240VAC
- 907 568..... DHF indoor Melodys 24VDC

ACCESSORIES

- 907 542..... 3x external inputs
- 907 544..... Case 2 buttons Lockdown for external inputs
- 907 599..... SD card for Lockdown/Intrusion

